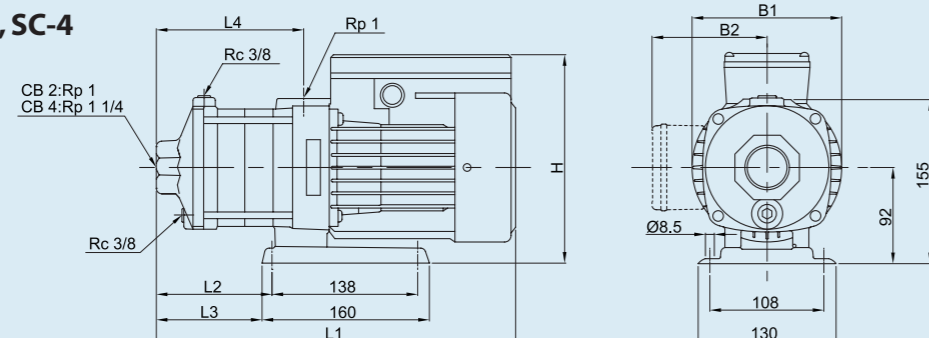


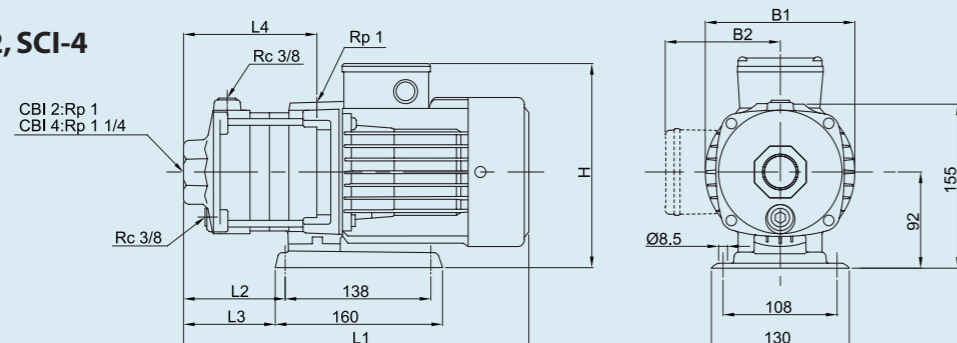
Dimensions and weights 50 Hz

SC-2, SC-4



pump type	mm								Kg		
	L1	L2	L3	L4	B1	B2		H		1phase	3phase
SC 2-20	309	75	63	101	141	127	112	228	206	10.3	10.0
SC 2-30	327	93	81	119	141	127	112	228	206	10.5	10.3
SC 2-40	345	111	99	137	141	127	112	228	206	10.8	10.5
SC 2-50	363	129	117	155	141	127	112	228	206	11.6	11.2
SC 2-60	381	147	135	173	141	127	112	228	206	11.8	11.5
SC 4-20	318	84	72	110	141	127	112	228	206	10.4	10.1
SC 4-30	344	111	99	137	141	127	112	228	206	10.8	10.5
SC 4-40	372	138	126	164	141	127	112	228	206	11.6	11.2
SC 4-50	438	165	153	191	141	127	112	228	206	13.4	13.1
SC 4-60	465	192	180	218	141	127	112	228	206	14.8	14.5

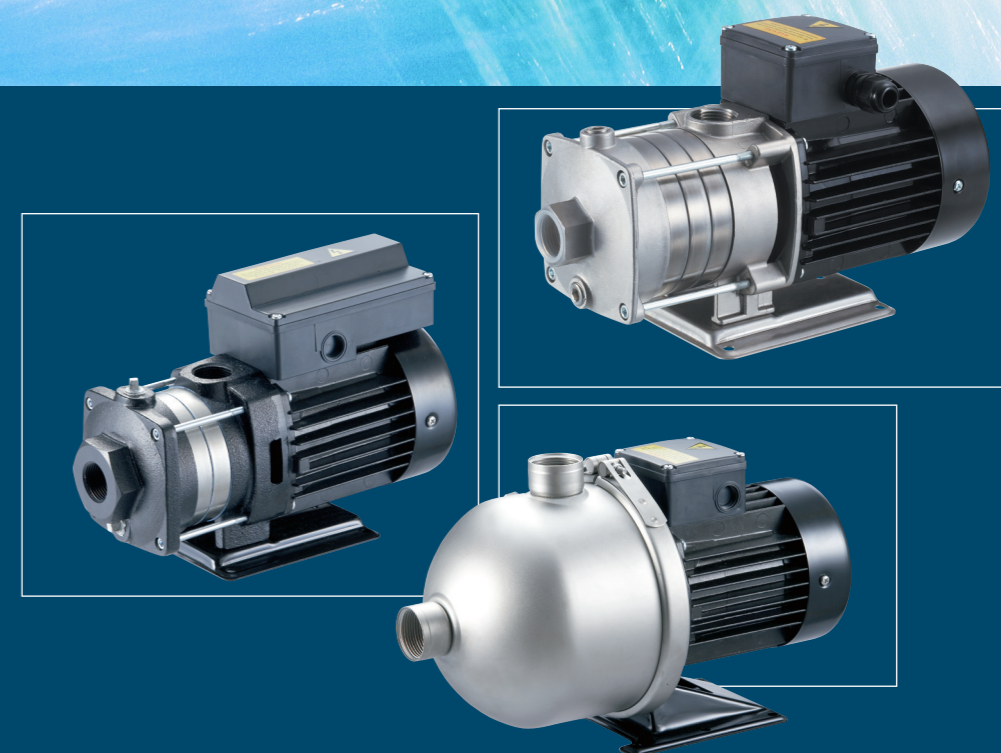
SCI-2, SCI-4



pump type	mm								Kg		
	L1	L2	L3	L4	B1	B2		H		1phase	3phase
SCI 2-20	309	75	63	101	141	127	112	228	206	9.1	8.8
SCI 2-30	327	93	81	119	141	127	112	228	206	9.4	9.1
SCI 2-40	345	111	99	137	141	127	112	228	206	9.6	9.4
SCI 2-50	363	129	117	155	141	127	112	228	206	10.4	10.1
SCI 2-60	381	147	135	173	141	127	112	228	206	10.7	10.3
SCI 4-20	318	84	72	110	141	127	112	228	206	9.2	9.0
SCI 4-30	344	111	99	137	141	127	112	228	206	9.6	9.3
SCI 4-40	372	138	126	164	141	127	112	228	206	10.4	10.1
SCI 4-50	438	165	153	191	141	127	112	228	206	11.3	12.0
SCI 4-60	465	192	180	218	141	127	112	228	206	13.6	13.4

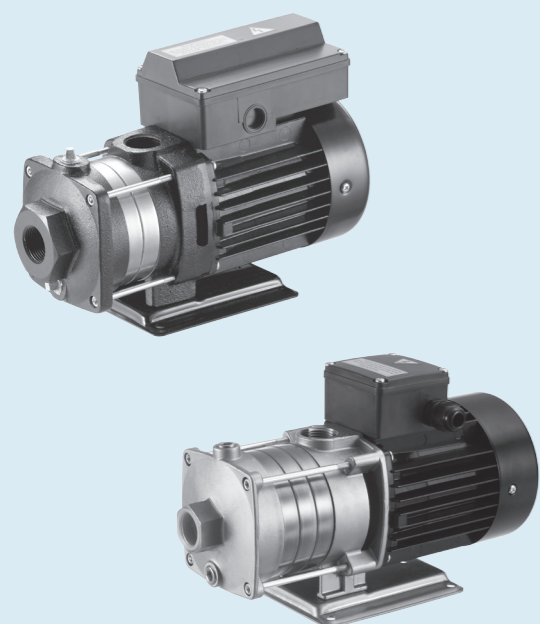
SC, SCI 2, 4 series

Horizontal Multistage Centrifugal Pumps 50 Hz

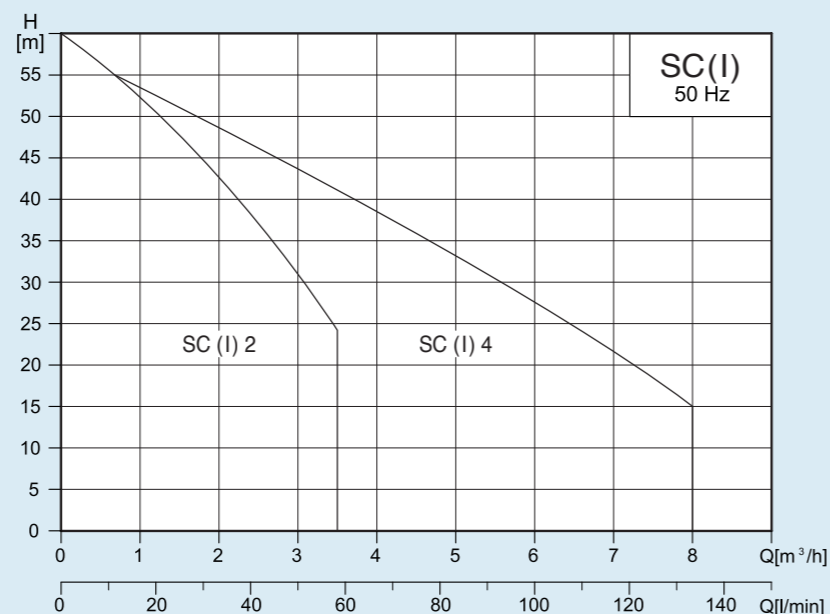


Speroni Spa Water Pumps
Via San Biagio, 59/A
42024 Castelnovo di Sotto (Reggio Emilia) ITALY
Switchboard / General Management
Tel. +39 0522 487011
Fax Italia +39 0522 487019
Fax World +39 0522 683070
Administration Offices
Fax +39 0522 688530
Italy Sales Offices
Fax +39 0522 688525
www.speroni.it





Performance range, 50Hz



Applications

- *Domestic
- *Liquid transfer and circulation of liquids within light industry and farming
- *Pressure boosting
- *Air-conditioning systems
- *Cooling systems or cooling machine
- *Specialized OEM equipment

Pump

The SC and SCI series are non-self priming, horizontal multistage centrifugal pumps. Pump is coupled with motor at the same shaft and mounted on a base-plate. The friendly design makes the pump suitable for installation in the small domestic or industrial water supply systems. The pump is fitted with a mechanical seal and through-going pump-motor shaft.

SC: The discharge and suction chamber are made of cast iron. The other parts of pump in contact with the liquid are made of stainless steel.

SCI: All parts of pump in contact with the liquid are made of stainless steel. EPDM or Viton O-rings are available as standard.

Pipe connections:

Connections	SC, SCI 2	SC, SCI 4
Suction port	Rp 1	Rp 1 1/4
Discharge port	Rp 1	Rp 1
Drain hole, priming hole	Rc 3/8	Rc 3/8

Motor

The pump is fitted with a totally enclosed, fan-cooled, squirrel-cage motor.

Rated speed: 2850rpm(50Hz), 3450rpm(60Hz)
 Enclosure class: IP 54
 Insulation class: F
 Standard voltages: 1 x 220~240 V, 50Hz
 3 x 220~240Δ/380~415 V, 50Hz

Operating conditions

Liquid: Clean liquid without solid particles.
 Liquid temperature range: 0°C ~ +90°C.
 Maximum ambient temperature: +50°C.
 The maximum operating pressure depends on the temperature of the pumped liquid, see table:

Max. operating pressure	10 kg/cm²	6 kg/cm²
SC(I)2, SC(I)4	0°C to +40°C	+41°C to +90°C

Min. inlet pressure: According to the NPSH curve + a safety margin of 0.5m.
 Max. inlet pressure: Limited by the max. operating pressure.

Type key

Example SC(I) 4 - 30 - CQBE
 Pump type Nominal flow rate [m³/h] Number of stages x 10 Mechanical Seals

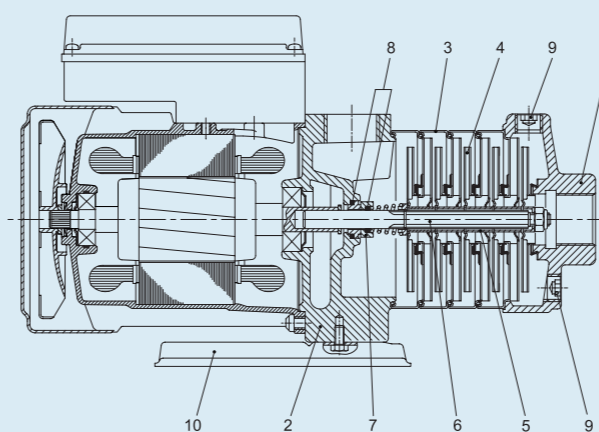
Mechanical seals

List of Materials	
Q : Silicon carbide	E : EPDM
U : Tungsten carbide	V : Viton
B : Carbon	C : Seal Type
A : Seal Type	

Mechanical Seals	SC, SCI 2/4
CQB	•
CQQ	Optional
AUU	Optional
O-rings	
E	•
V	•

• Standard

Material construction

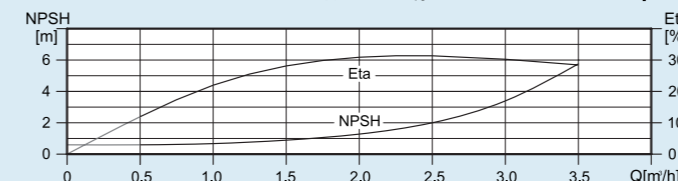
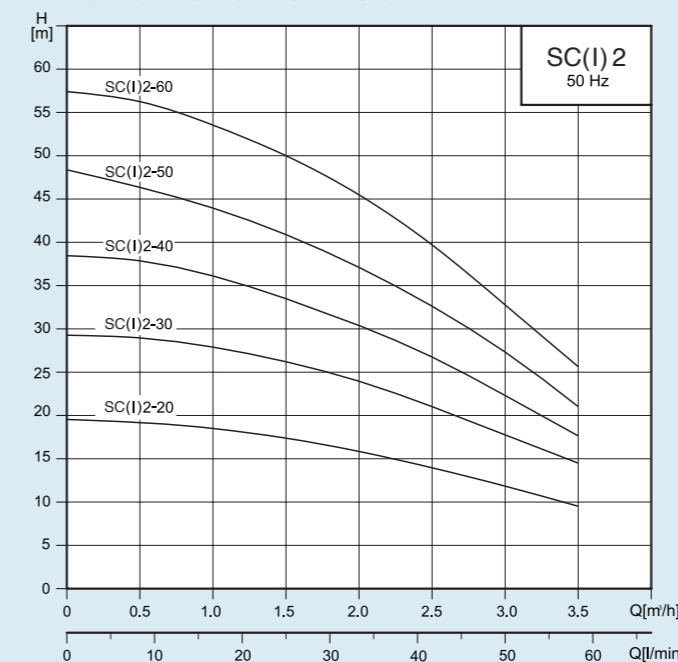


Materials

Pos.	Description	Materials	
		CB	CBI
1	Suction chamber	Cast iron	SS304
2	Pump head	Cast iron	SS304
3	Intermediate chamber	SS304	SS304
4	Impeller	SS304	SS304
5	Spacing pipe	SS304	SS304
6	Shaft	SS431	SS431
7	* Mechanical seal	Silicon carbide / Carbon	Silicon carbide / Carbon
8	O-ring	EPDM or Viton	EPDM or Viton
9	Drain and priming plug	Steel	SS304
10	Base plate	Steel	SS304

* Remarks : Mechanical seal is changeable by list

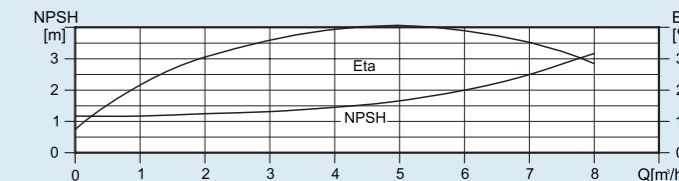
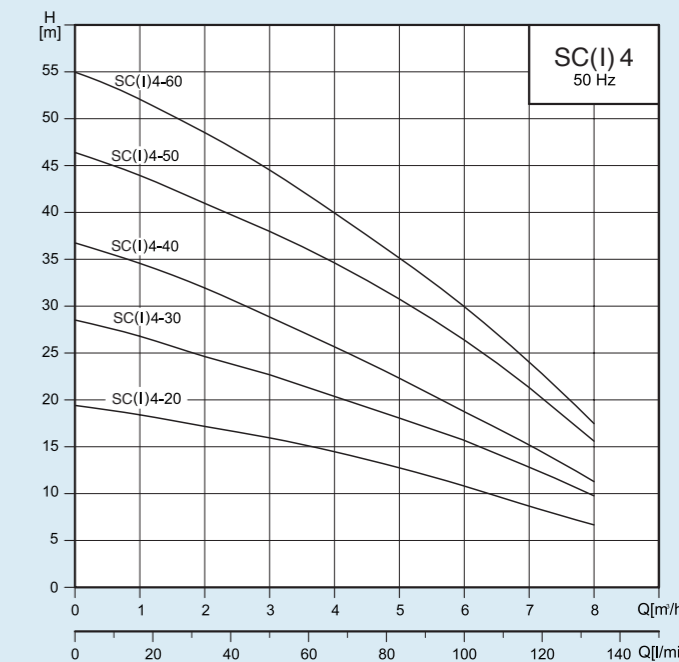
Performance curves 50Hz



Electrical data, 2850 min⁻¹

pump type	1 x 220-240 V		3 x 220-240 Δ / 380-415 V Y	
	P _i [W]	I _n [A]	P _i [W]	I _n [A]
SC/SCI 2-20	420	2.1	380	1.8 / 1.1
SC/SCI 2-30	480	2.3	460	1.9 / 1.2
SC/SCI 2-40	570	2.6	560	2.0 / 1.2
SC/SCI 2-50	680	3.2	660	2.7 / 1.6
SC/SCI 2-60	810	3.7	810	2.8 / 1.6

Performance curves 50Hz



Electrical data, 2850 min⁻¹

pump type	1 x 220-240 V		3 x 220-240 Δ / 380-415 V Y	
	P _i [W]	I _n [A]	P _i [W]	I _n [A]
SC/SCI 4-20	540	2.4	560	2.0 / 1.2
SC/SCI 4-30	820	3.5	770	2.3 / 1.3
SC/SCI 4-40	1020	4.3	1000	3.1 / 1.8
SC/SCI 4-50	1220	5.4	1200	4.0 / 2.3
SC/SCI 4-60	1450	6.2	1400	4.6 / 2.7