

# ซูเปอร์ เฮอริเคน

4" เครื่องสูบน้ำบาดาล สแตนเลส



สลดทวาย  
ได้ดีที่สุด

ใช้งานกับบ่อบาดาล  
ทุกประเภท



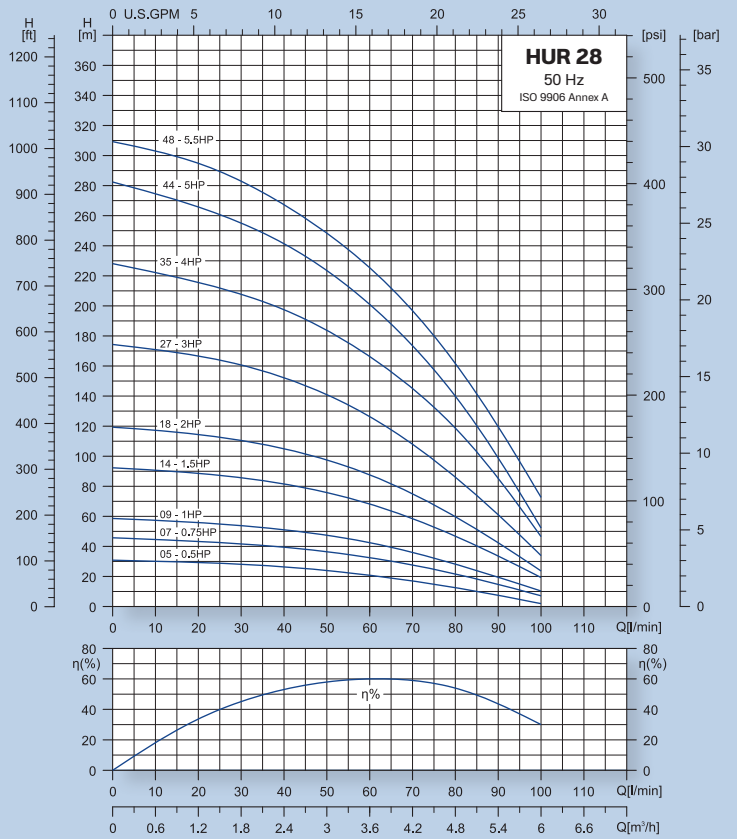
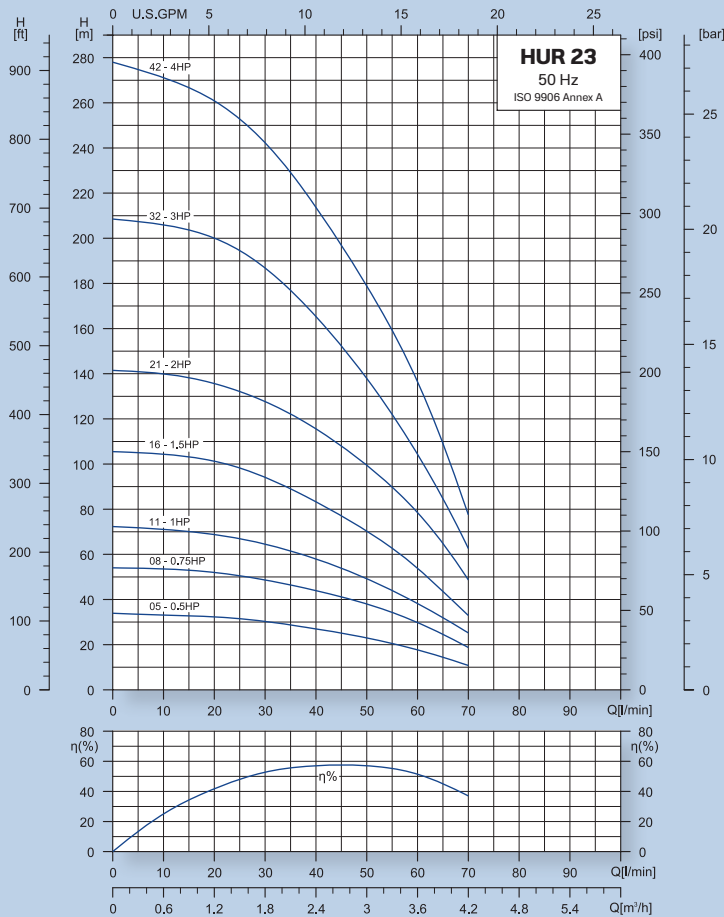
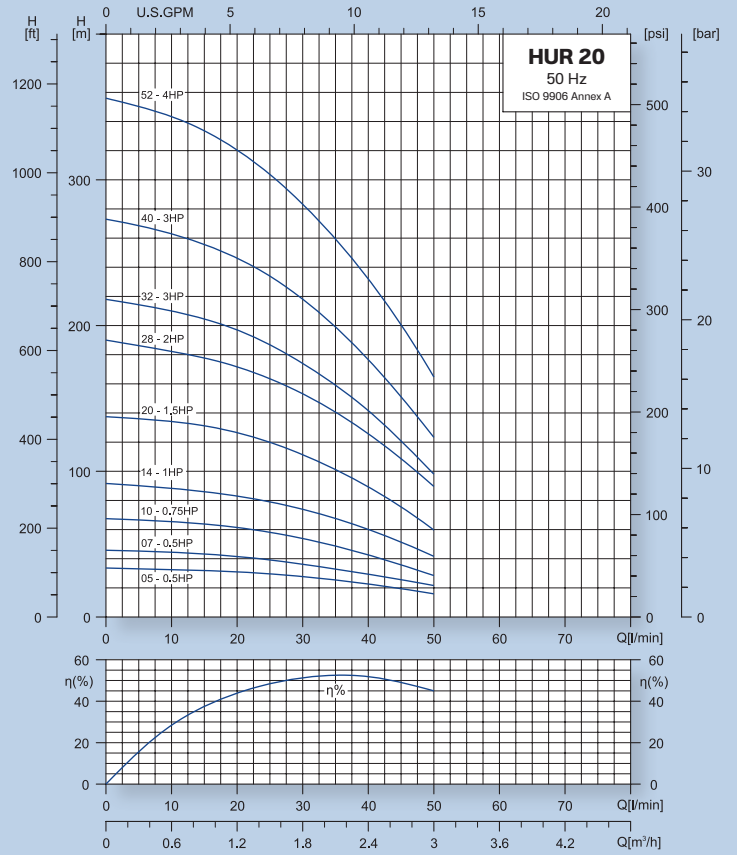
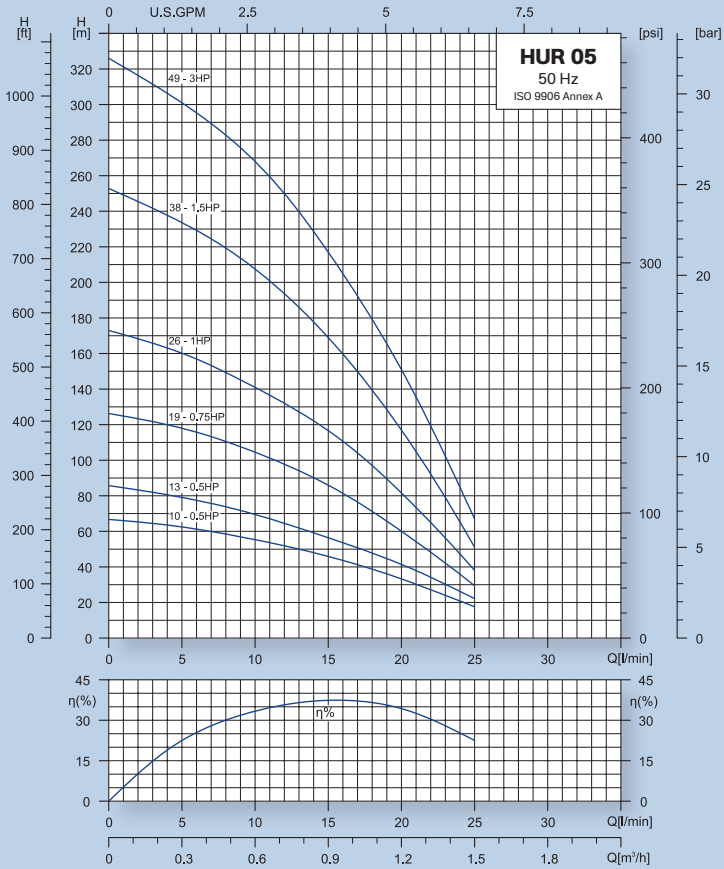
Powered by  
Franklin Electric, U.S.A.



# ปั๊มน้ำบาดาล (BOREHOLE SUBMERSIBLE PUMPS TYPE) 50Hz

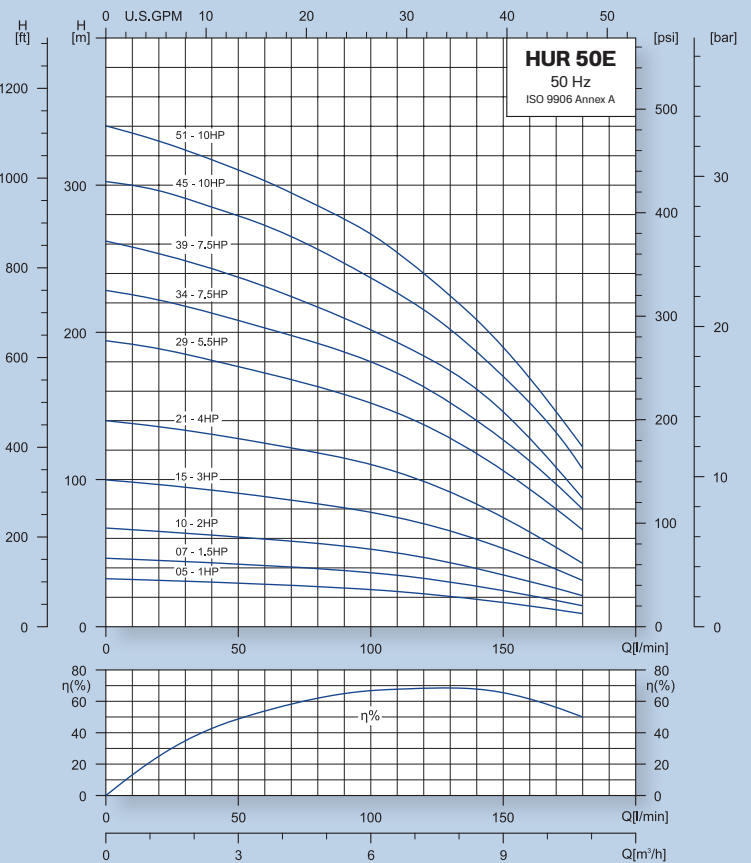
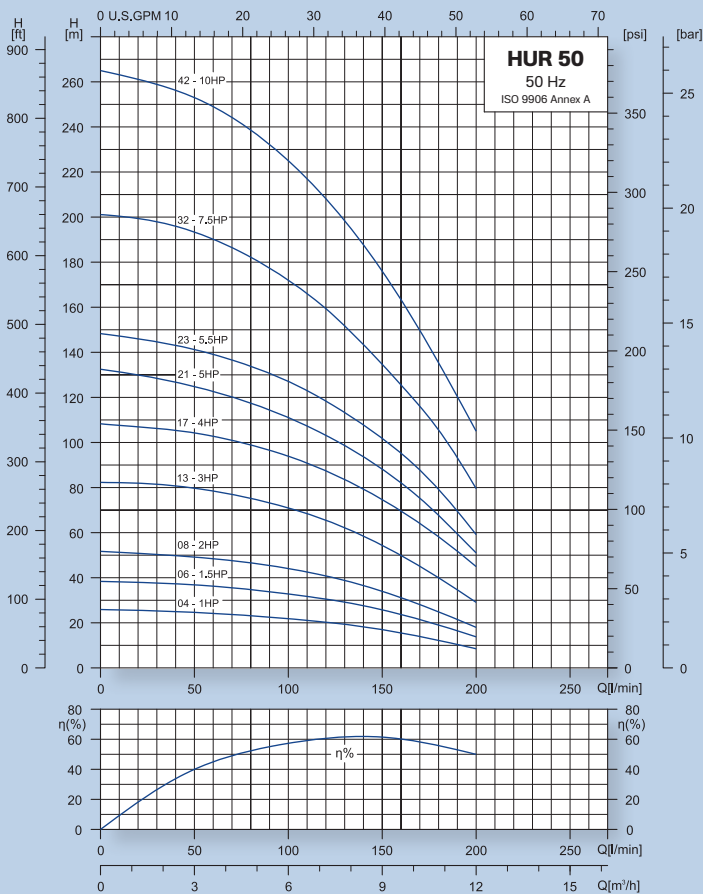
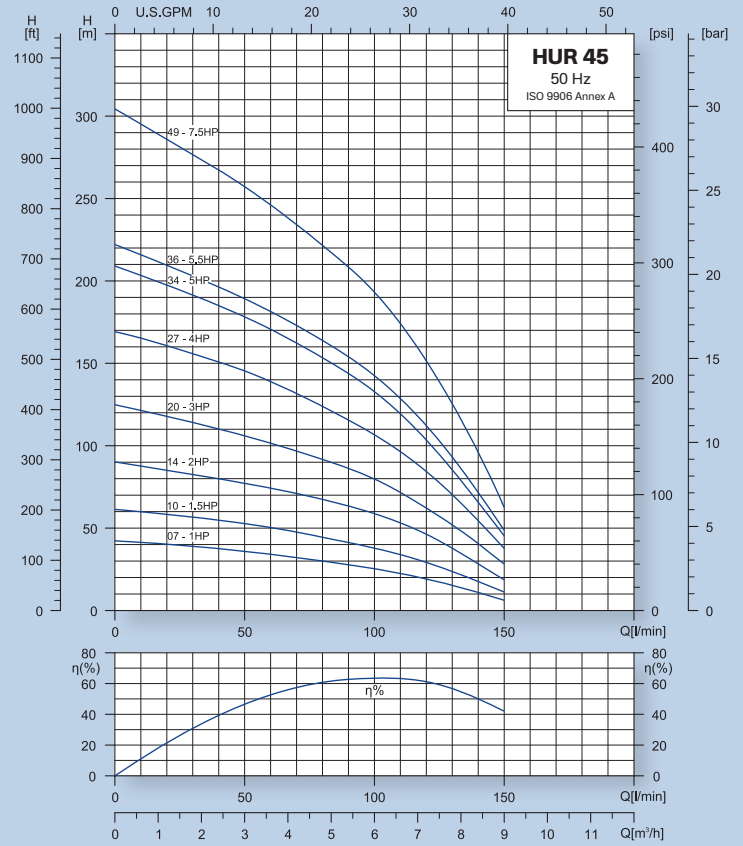
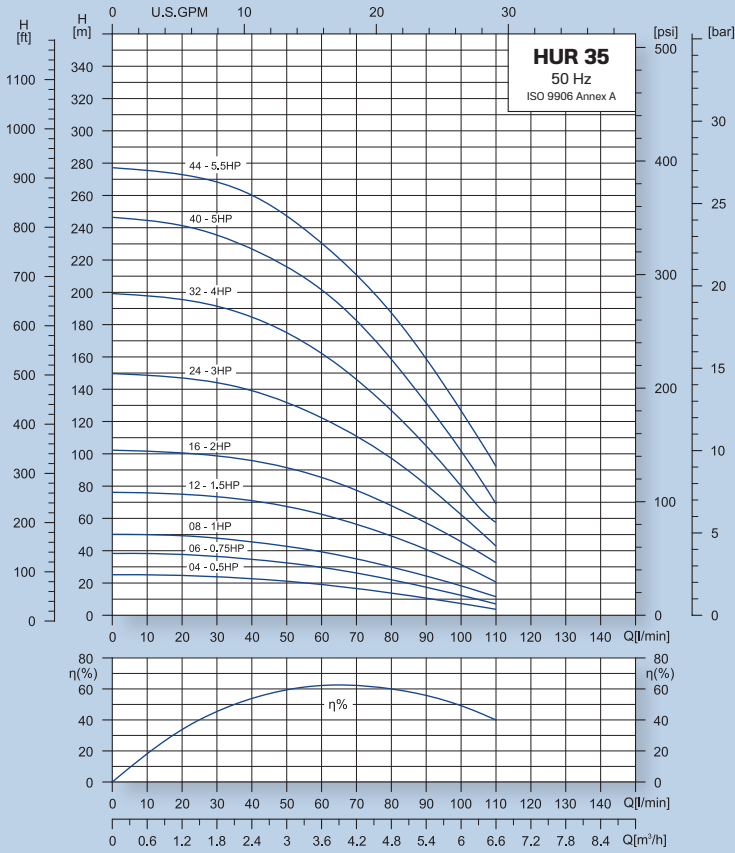
| รุ่น                | จำนวนใบพัด | มอเตอร์ |        | Q - ปริมาณน้ำ |     |     |     |     |     |     |     |     |     |     |     |     |     |     |     |     |     | ปั๊ม |      |     |              |              |      |
|---------------------|------------|---------|--------|---------------|-----|-----|-----|-----|-----|-----|-----|-----|-----|-----|-----|-----|-----|-----|-----|-----|-----|------|------|-----|--------------|--------------|------|
|                     |            | วัตต์   | แรงม้า | ลิตร/นาที     | 5   | 10  | 15  | 20  | 25  | 30  | 35  | 40  | 45  | 50  | 60  | 70  | 80  | 90  | 100 | 120 | 140 | 160  | 180  | 200 | ความยาว (mm) | น้ำหนัก (kg) |      |
|                     |            |         |        | คว.ซม.        | 0.3 | 0.6 | 0.9 | 1.2 | 1.5 | 1.8 | 2.1 | 2.4 | 2.7 | 3   | 3.6 | 4.2 | 4.8 | 5.4 | 6   | 7.2 | 8.4 | 9.6  | 10.8 | 12  |              |              |      |
| H = ความสูงเป็นเมตร |            |         |        |               |     |     |     |     |     |     |     |     |     |     |     |     |     |     |     |     |     |      |      |     |              |              |      |
| HUR-0510            | 10         | 0.37    | 0.5    | 67            | 63  | 55  | 46  | 33  | 18  |     |     |     |     |     |     |     |     |     |     |     |     |      |      |     |              | 324          | 3.3  |
| HUR-0513            | 13         | 0.37    | 0.5    | 86            | 78  | 70  | 56  | 42  | 23  |     |     |     |     |     |     |     |     |     |     |     |     |      |      |     |              | 377          | 3.7  |
| HUR-0519            | 19         | 0.55    | 0.75   | 126           | 118 | 105 | 86  | 60  | 30  |     |     |     |     |     |     |     |     |     |     |     |     |      |      |     |              | 481          | 4.7  |
| HUR-0526            | 26         | 0.75    | 1      | 173           | 160 | 141 | 117 | 81  | 39  |     |     |     |     |     |     |     |     |     |     |     |     |      |      |     |              | 642          | 5.8  |
| HUR-0538            | 38         | 1.1     | 1.5    | 253           | 234 | 208 | 169 | 117 | 52  |     |     |     |     |     |     |     |     |     |     |     |     |      |      |     |              | 910          | 9.2  |
| HUR-0549            | 49         | 2.2     | 3      | 326           | 301 | 268 | 219 | 151 | 67  |     |     |     |     |     |     |     |     |     |     |     |     |      |      |     |              | 1105         | 12.5 |
| HUR-2005            | 5          | 0.37    | 0.5    | 34            |     |     | 32  | 31  | 29  | 27  | 25  | 23  | 19  | 16  |     |     |     |     |     |     |     |      |      |     |              | 236          | 2.5  |
| HUR-2007            | 7          | 0.37    | 0.5    | 46            |     |     | 43  | 42  | 40  | 36  | 33  | 29  | 26  | 22  |     |     |     |     |     |     |     |      |      |     |              | 271          | 2.8  |
| HUR-2010            | 10         | 0.55    | 0.75   | 69            |     |     | 65  | 63  | 60  | 55  | 50  | 44  | 37  | 29  |     |     |     |     |     |     |     |      |      |     |              | 324          | 3.3  |
| HUR-2014            | 14         | 0.75    | 1      | 92            |     |     | 86  | 83  | 79  | 74  | 67  | 60  | 52  | 42  |     |     |     |     |     |     |     |      |      |     |              | 394          | 3.9  |
| HUR-2020            | 20         | 1.1     | 1.5    | 139           |     |     | 131 | 127 | 120 | 111 | 101 | 90  | 75  | 60  |     |     |     |     |     |     |     |      |      |     |              | 499          | 4.9  |
| HUR-2028            | 28         | 1.5     | 2      | 190           |     |     | 178 | 172 | 163 | 153 | 141 | 126 | 108 | 89  |     |     |     |     |     |     |     |      |      |     |              | 679          | 7.1  |
| HUR-2032            | 32         | 2.2     | 3      | 218           |     |     | 205 | 197 | 187 | 174 | 159 | 142 | 121 | 98  |     |     |     |     |     |     |     |      |      |     |              | 787          | 7.8  |
| HUR-2040            | 40         | 2.2     | 3      | 273           |     |     | 256 | 246 | 234 | 218 | 199 | 177 | 151 | 123 |     |     |     |     |     |     |     |      |      |     |              | 950          | 10.5 |
| HUR-2052            | 52         | 3       | 4      | 356           |     |     | 334 | 320 | 304 | 283 | 259 | 232 | 201 | 165 |     |     |     |     |     |     |     |      |      |     |              | 1235         | 13.5 |
| HUR-2305            | 5          | 0.37    | 0.5    | 34            |     |     |     | 32  | 31  | 30  | 29  | 28  | 26  | 24  | 19  | 13  |     |     |     |     |     |      |      |     |              | 236          | 2.5  |
| HUR-2308            | 8          | 0.55    | 0.75   | 54            |     |     |     | 51  | 50  | 49  | 46  | 43  | 41  | 38  | 30  | 19  |     |     |     |     |     |      |      |     |              | 289          | 2.9  |
| HUR-2311            | 11         | 0.75    | 1      | 72            |     |     |     | 68  | 66  | 64  | 61  | 58  | 54  | 49  | 38  | 26  |     |     |     |     |     |      |      |     |              | 342          | 3.4  |
| HUR-2316            | 16         | 1.1     | 1.5    | 106           |     |     |     | 101 | 98  | 95  | 89  | 83  | 77  | 70  | 54  | 33  |     |     |     |     |     |      |      |     |              | 430          | 4.2  |
| HUR-2321            | 21         | 1.5     | 2      | 142           |     |     |     | 135 | 132 | 127 | 122 | 115 | 108 | 100 | 79  | 49  |     |     |     |     |     |      |      |     |              | 519          | 5    |
| HUR-2332            | 32         | 2.2     | 3      | 208           |     |     |     | 200 | 194 | 187 | 177 | 165 | 152 | 138 | 104 | 62  |     |     |     |     |     |      |      |     |              | 805          | 8.1  |
| HUR-2342            | 42         | 3       | 4      | 278           |     |     |     | 261 | 253 | 242 | 229 | 214 | 197 | 179 | 137 | 78  |     |     |     |     |     |      |      |     |              | 985          | 10.7 |
| HUR-2805            | 5          | 0.37    | 0.5    | 33            |     |     |     |     | 29  | 28  | 27  | 26  | 25  | 24  | 21  | 18  | 13  | 8   | 3   |     |     |      |      |     |              | 257          | 2.7  |
| HUR-2807            | 7          | 0.55    | 0.75   | 46            |     |     |     |     | 43  | 42  | 41  | 40  | 39  | 37  | 33  | 28  | 21  | 13  | 7   |     |     |      |      |     |              | 301          | 3    |
| HUR-2809            | 9          | 0.75    | 1      | 59            |     |     |     |     | 55  | 54  | 52  | 51  | 49  | 47  | 43  | 37  | 28  | 20  | 10  |     |     |      |      |     |              | 344          | 3.3  |
| HUR-2814            | 14         | 1.1     | 1.5    | 93            |     |     |     |     | 87  | 86  | 83  | 81  | 79  | 76  | 68  | 58  | 47  | 33  | 20  |     |     |      |      |     |              | 452          | 4.1  |
| HUR-2818            | 18         | 1.5     | 2      | 120           |     |     |     |     | 113 | 111 | 108 | 105 | 102 | 98  | 88  | 75  | 60  | 42  | 25  |     |     |      |      |     |              | 538          | 4.7  |
| HUR-2827            | 27         | 2.2     | 3      | 175           |     |     |     |     | 164 | 161 | 157 | 152 | 147 | 141 | 127 | 109 | 87  | 61  | 35  |     |     |      |      |     |              | 805          | 7.2  |
| HUR-2835            | 35         | 3       | 4      | 231           |     |     |     |     | 217 | 212 | 208 | 202 | 196 | 189 | 170 | 149 | 120 | 87  | 50  |     |     |      |      |     |              | 995          | 8.9  |
| HUR-2844            | 44         | 3.7     | 5      | 285           |     |     |     |     | 266 | 260 | 254 | 248 | 238 | 229 | 203 | 172 | 139 | 100 | 59  |     |     |      |      |     |              | 1187         | 10.3 |
| HUR-2848            | 48         | 4       | 5.5    | 322           |     |     |     |     | 299 | 292 | 285 | 276 | 267 | 256 | 231 | 199 | 162 | 120 | 73  |     |     |      |      |     |              | 1312         | 10.9 |
| HUR-3504            | 4          | 0.37    | 0.5    | 26            |     |     |     |     |     |     |     | 23  | 22  | 21  | 21  | 20  | 18  | 15  | 12  | 9   |     |      |      |     |              | 247          | 2.4  |
| HUR-3506            | 6          | 0.55    | 0.75   | 38            |     |     |     |     |     |     |     | 36  | 35  | 34  | 33  | 31  | 28  | 25  | 21  | 16  | 5   |      |      |     |              | 296          | 2.9  |
| HUR-3508            | 8          | 0.75    | 1      | 51            |     |     |     |     |     |     |     | 48  | 47  | 46  | 45  | 42  | 39  | 34  | 29  | 23  | 10  |      |      |     |              | 345          | 3.3  |
| HUR-3512            | 12         | 1.1     | 1.5    | 77            |     |     |     |     |     |     |     | 72  | 71  | 69  | 68  | 63  | 58  | 50  | 41  | 32  | 12  |      |      |     |              | 433          | 4.1  |
| HUR-3516            | 16         | 1.5     | 2      | 102           |     |     |     |     |     |     |     | 98  | 97  | 95  | 92  | 87  | 80  | 70  | 60  | 48  | 20  |      |      |     |              | 542          | 5    |
| HUR-3524            | 24         | 2.2     | 3      | 151           |     |     |     |     |     |     |     | 144 | 141 | 138 | 135 | 126 | 115 | 102 | 88  | 69  | 30  |      |      |     |              | 815          | 7.6  |
| HUR-3532            | 32         | 3       | 4      | 203           |     |     |     |     |     |     |     | 195 | 192 | 188 | 185 | 173 | 160 | 143 | 123 | 100 | 50  |      |      |     |              | 1028         | 9.7  |
| HUR-3540            | 40         | 3.7     | 5      | 253           |     |     |     |     |     |     |     | 242 | 238 | 233 | 228 | 215 | 198 | 179 | 155 | 129 | 66  |      |      |     |              | 1220         | 11.4 |
| HUR-3544            | 44         | 4       | 5.5    | 278           |     |     |     |     |     |     |     | 264 | 260 | 254 | 248 | 232 | 213 | 192 | 167 | 139 | 71  |      |      |     |              | 1359         | 12.2 |
| HUR-4507            | 7          | 0.75    | 1      | 42            |     |     |     |     |     |     |     |     |     |     | 36  | 34  | 32  | 30  | 28  | 25  | 19  | 11   |      |     |              | 390          | 3.7  |
| HUR-4510            | 10         | 1.1     | 1.5    | 62            |     |     |     |     |     |     |     |     |     |     | 53  | 51  | 48  | 45  | 41  | 38  | 29  | 18   |      |     |              | 483          | 4.6  |
| HUR-4514            | 14         | 1.5     | 2      | 90            |     |     |     |     |     |     |     |     |     |     | 77  | 74  | 71  | 68  | 63  | 59  | 46  | 28   |      |     |              | 607          | 5.7  |
| HUR-4520            | 20         | 2.2     | 3      | 125           |     |     |     |     |     |     |     |     |     |     | 107 | 102 | 97  | 92  | 86  | 80  | 62  | 40   |      |     |              | 831          | 7.5  |
| HUR-4527            | 27         | 3       | 4      | 169           |     |     |     |     |     |     |     |     |     |     | 145 | 139 | 131 | 123 | 115 | 107 | 84  | 55   |      |     |              | 1086         | 10.6 |
| HUR-4534            | 34         | 3.7     | 5      | 208           |     |     |     |     |     |     |     |     |     |     | 178 | 170 | 162 | 153 | 143 | 132 | 103 | 66   |      |     |              | 1325         | 12.6 |
| HUR-4536            | 36         | 4       | 5.5    | 221           |     |     |     |     |     |     |     |     |     |     | 190 | 181 | 173 | 164 | 154 | 143 | 112 | 72   |      |     |              | 1384         | 13.2 |
| HUR-4549            | 49         | 5.5     | 7.5    | 302           |     |     |     |     |     |     |     |     |     |     | 257 | 246 | 234 | 222 | 209 | 193 | 151 | 96   |      |     |              | 1863         | 16.9 |
| HUR-50E05           | 5          | 0.75    | 1      | 33            |     |     |     |     |     |     |     |     |     |     |     |     | 27  | 26  | 25  | 22  | 19  | 14   | 9    |     |              | 330          | 3.2  |
| HUR-50E07           | 7          | 1.1     | 1.5    | 47            |     |     |     |     |     |     |     |     |     |     |     |     | 39  | 38  | 37  | 33  | 28  | 21   | 14   |     |              | 395          | 3.8  |
| HUR-50E10           | 10         | 1.5     | 2      | 67            |     |     |     |     |     |     |     |     |     |     |     |     | 57  | 55  | 53  | 47  | 39  | 31   | 21   |     |              | 485          | 4.6  |
| HUR-50E15           | 15         | 2.2     | 3      | 100           |     |     |     |     |     |     |     |     |     |     |     |     | 83  | 81  | 78  | 70  | 59  | 46   | 31   |     |              | 640          | 6.1  |
| HUR-50E21           | 21         | 3       | 4      | 140           |     |     |     |     |     |     |     |     |     |     |     |     | 118 | 115 | 110 | 99  | 83  | 64   | 43   |     |              | 865          | 8.2  |
| HUR-50E29           | 29         | 4       | 5.5    | 194           |     |     |     |     |     |     |     |     |     |     |     |     | 163 | 158 | 152 | 137 | 118 | 93   | 66   |     |              | 1150         | 10.7 |
| HUR-50E34           | 34         | 5.5     | 7.5    | 229           |     |     |     |     |     |     |     |     |     |     |     |     | 193 | 187 | 180 | 163 | 140 | 113  | 80   |     |              | 1325         | 13.2 |
| HUR-50E39           | 39         | 5.5     | 7.5    | 262           |     |     |     |     |     |     |     |     |     |     |     |     | 217 | 210 | 202 | 184 | 161 | 128  | 87   |     |              | 1480         | 14.5 |
| HUR-50E45           | 45         | 7.5     | 10     | 302           |     |     |     |     |     |     |     |     |     |     |     |     | 256 | 247 | 237 | 215 | 187 | 152  | 107  |     |              | 1745         | 17.1 |
| HUR-50E51           | 51         | 7.5     | 10     | 340           |     |     |     |     |     |     |     |     |     |     |     |     | 286 | 277 | 267 | 240 | 208 | 169  | 122  |     |              | 1930         | 18.6 |
| HUR-5004            | 4          | 0.75    | 1      | 26            |     |     |     |     |     |     |     |     |     |     |     |     | 24  | 23  | 22  | 21  | 19  | 17   | 15   | 12  |              | 294          | 2.8  |
| HUR-5006            | 6          | 1.1     | 1.5    | 39            |     |     |     |     |     |     |     |     |     |     |     |     | 36  | 35  | 34  | 32  | 29  | 26   | 22   | 17  |              | 356          | 3.4  |
| HUR-5008            | 8          | 1.5     | 2      | 52            |     |     |     |     |     |     |     |     |     |     |     |     | 48  | 47  | 46  | 43  | 39  | 35   | 29   | 24  |              | 418          | 4    |
| HUR-5013            | 13         | 2.2     | 3      | 82            |     |     |     |     |     |     |     |     |     |     |     |     | 75  | 73  | 71  | 66  | 59  | 50   | 40   | 30  |              | 573          | 5.5  |
| HUR-5017            | 17         | 3       | 4      | 108           |     |     |     |     |     |     |     |     |     |     |     |     | 98  | 96  | 94  | 87  | 79  | 70   | 58   | 46  |              | 697          | 6.6  |
| HUR-5021            | 21         | 3.7     | 5      | 132           |     |     |     |     |     |     |     |     |     |     |     |     | 117 | 114 | 111 | 103 | 93  | 82   | 68   | 52  |              | 859          | 7.8  |
| HUR-5023            | 23         | 4       | 5.5    | 148           |     |     |     |     |     |     |     |     |     |     |     |     | 134 | 131 | 127 | 118 | 108 | 95   | 79   | 60  |              | 921          | 9.4  |
| HUR-5032            | 32         | 5.5     | 7.5    | 202           |     |     |     |     |     |     |     |     |     |     |     |     | 182 | 178 | 172 | 160 | 143 | 125  | 105  | 80  |              | 1238         | 12   |
| HUR-5042            | 42         | 7.5     | 10     | 265           |     |     |     |     |     |     |     |     |     |     |     |     | 239 | 232 | 225 | 208 | 188 | 163  | 135  | 105 |              | 1650         | 15.5 |

Performance Curves

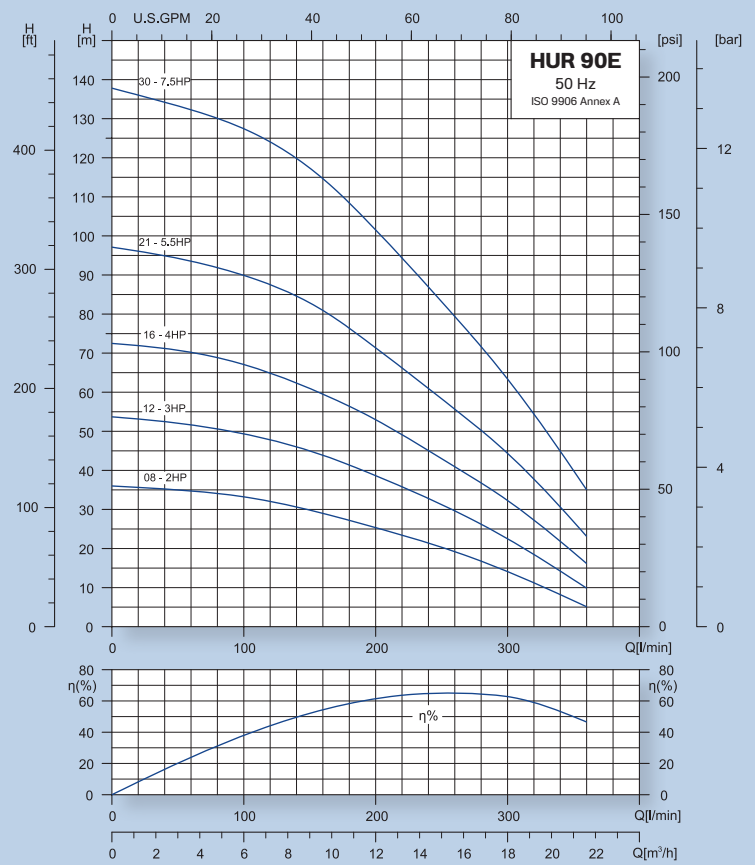
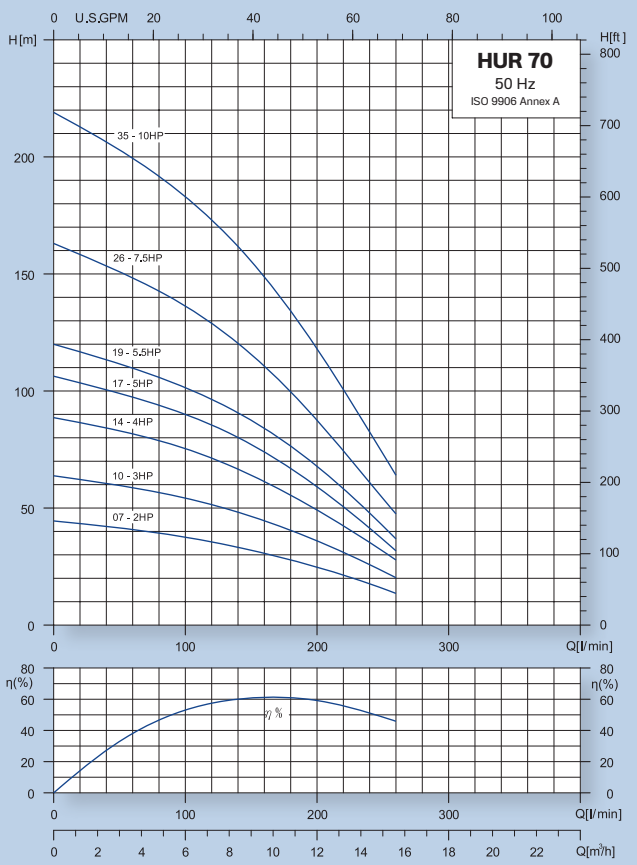
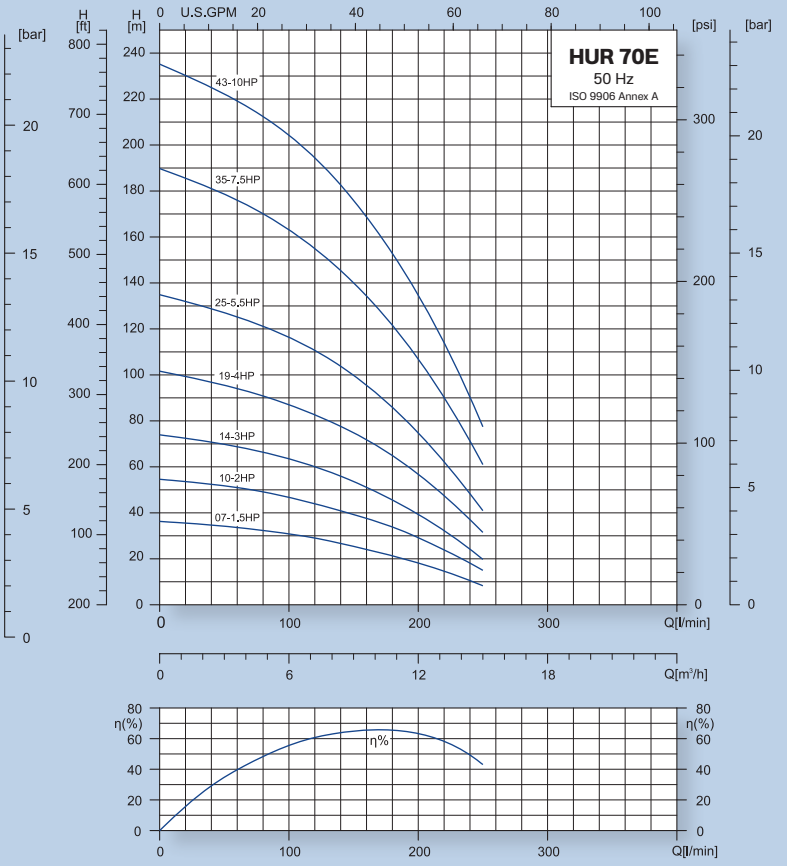
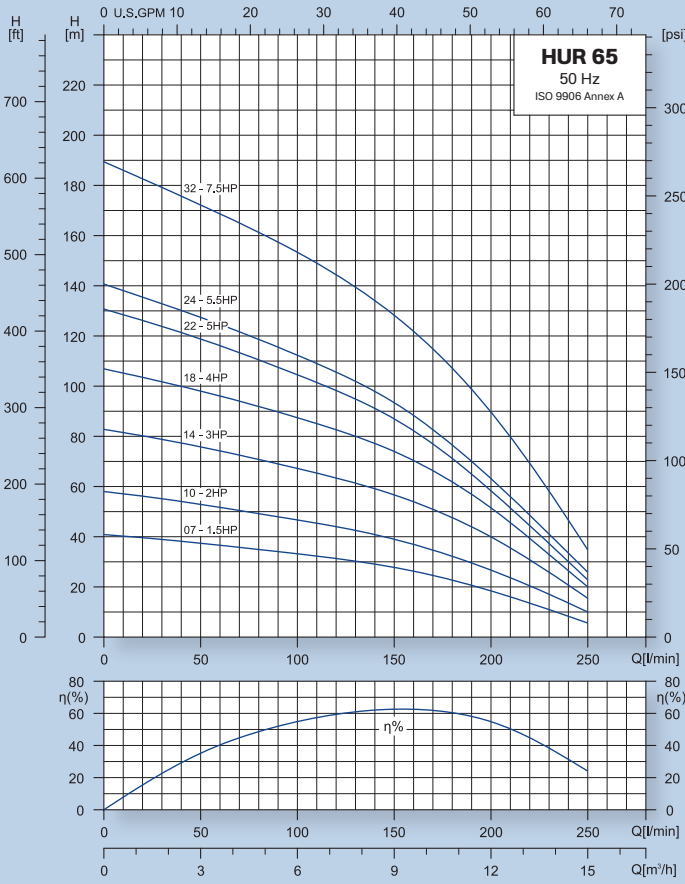




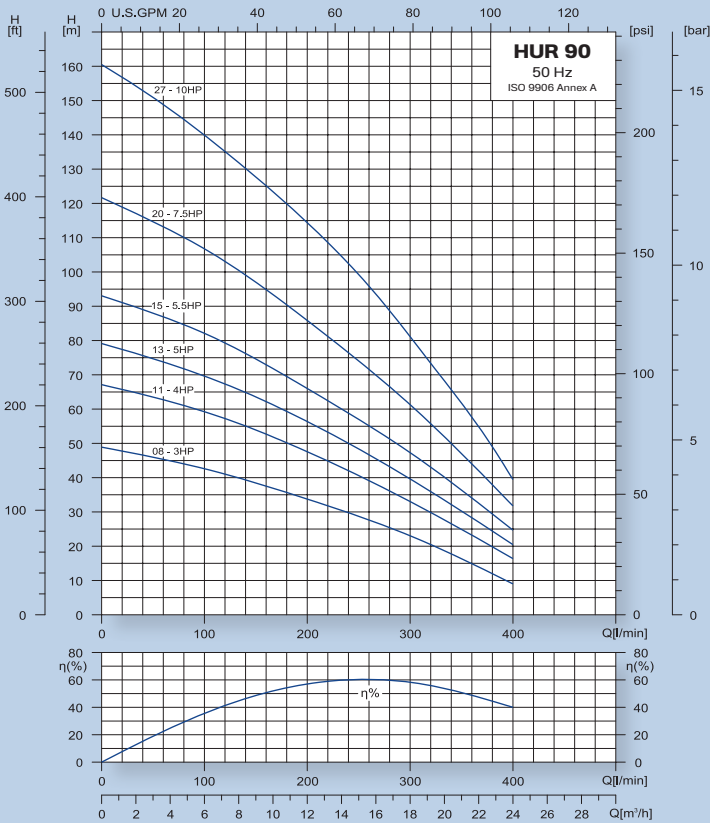
Performance Curves



Performance Curves

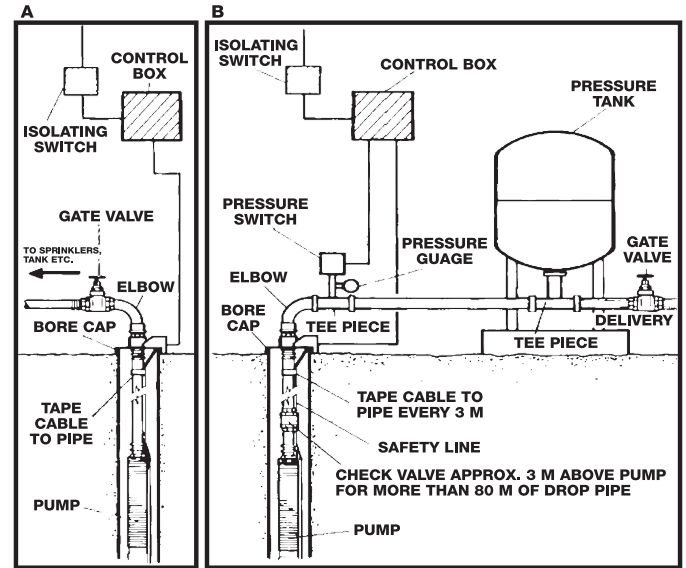


Performance Curves



**การติดตั้งมาตรฐาน**  
**TYPICAL INSTALLATION**

A. PUMP CONNECTED FOR MANUAL OPERATION.  
B. PUMP INSTALLED AS AN AUTOMATIC PRESSURE SYSTEM INCORPORATING PRESSURE TANK AND PRESSURE SWITCH.



**รุ่นปริมาณน้ำมาก (HIGH CAPACITY TYPE)**

| รุ่น                | จำนวนใบพัด | มอเตอร์ |       | ลิตร/ชม. | Q = ปริมาณน้ำ |     |     |     |     |     |      |     |      |      |      |      |     |      |      |      | ปั๊ม |      |              |              |
|---------------------|------------|---------|-------|----------|---------------|-----|-----|-----|-----|-----|------|-----|------|------|------|------|-----|------|------|------|------|------|--------------|--------------|
|                     |            | วัตต์   | แอมป์ |          | 80            | 90  | 100 | 120 | 140 | 160 | 180  | 200 | 220  | 240  | 260  | 280  | 300 | 320  | 340  | 360  | 380  | 400  | ความยาว (mm) | น้ำหนัก (kg) |
|                     |            |         |       |          | 4.8           | 5.4 | 6   | 7.2 | 8.4 | 9.6 | 10.8 | 12  | 13.2 | 14.4 | 15.6 | 16.8 | 18  | 19.2 | 20.4 | 21.6 | 22.8 | 24   |              |              |
| H = ความสูงเป็นเมตร |            |         |       |          |               |     |     |     |     |     |      |     |      |      |      |      |     |      |      |      |      |      |              |              |
| HUR-6507            | 7          | 1.1     | 1.5   | 41       | 35            | 34  | 33  | 32  | 29  | 26  | 23   | 18  | 14   | 8    |      |      |     |      |      |      | 537  | 5.3  |              |              |
| HUR-6510            | 10         | 1.5     | 2     | 58       | 49            | 48  | 47  | 44  | 41  | 37  | 32   | 27  | 20   | 13   |      |      |     |      |      |      | 693  | 6.7  |              |              |
| HUR-6514            | 14         | 2.2     | 3     | 83       | 71            | 69  | 67  | 63  | 58  | 54  | 48   | 40  | 31   | 20   |      |      |     |      |      |      | 901  | 8.5  |              |              |
| HUR-6518            | 18         | 3       | 4     | 107      | 92            | 90  | 87  | 83  | 77  | 70  | 62   | 52  | 39   | 26   |      |      |     |      |      |      | 1147 | 10.4 |              |              |
| HUR-6522            | 22         | 3.7     | 5     | 131      | 110           | 107 | 104 | 98  | 91  | 82  | 71   | 58  | 45   | 30   |      |      |     |      |      |      | 1345 | 12.3 |              |              |
| HUR-6524            | 24         | 4       | 5.5   | 141      | 118           | 116 | 113 | 106 | 97  | 88  | 77   | 63  | 49   | 33   |      |      |     |      |      |      | 1449 | 13.2 |              |              |
| HUR-6532            | 32         | 5.5     | 7.5   | 189      | 162           | 157 | 153 | 144 | 134 | 122 | 107  | 90  | 70   | 47   |      |      |     |      |      |      | 1866 | 17   |              |              |
| HUR-70E07           | 7          | 1.5     | 2     | 45       |               |     | 31  | 29  | 27  | 24  | 21   | 18  | 15   | 11   |      |      |     |      |      |      | 540  | 4.9  |              |              |
| HUR-70E10           | 10         | 2.2     | 3     | 64       |               |     | 47  | 44  | 41  | 38  | 34   | 29  | 24   | 18   |      |      |     |      |      |      | 695  | 6.3  |              |              |
| HUR-70E14           | 14         | 3       | 4     | 89       |               |     | 64  | 60  | 56  | 51  | 46   | 39  | 32   | 24   |      |      |     |      |      |      | 905  | 8.1  |              |              |
| HUR-70E19           | 19         | 3.7     | 5     | 107      |               |     | 87  | 83  | 78  | 72  | 65   | 57  | 48   | 37   |      |      |     |      |      |      | 1240 | 11   |              |              |
| HUR-70E25           | 25         | 4       | 5.5   | 120      |               |     | 116 | 111 | 104 | 96  | 86   | 75  | 62   | 48   |      |      |     |      |      |      | 1570 | 14.3 |              |              |
| HUR-70E35           | 35         | 5.5     | 7.5   | 190      |               |     | 163 | 155 | 145 | 134 | 122  | 107 | 90   | 71   |      |      |     |      |      |      | 2165 | 19.8 |              |              |
| HUR-70E43           | 43         | 7.5     | 10    | 219      |               |     | 204 | 194 | 183 | 169 | 153  | 135 | 114  | 90   |      |      |     |      |      |      | 2585 | 24   |              |              |
| HUR-7007            | 7          | 1.5     | 2     | 45       |               |     | 37  | 36  | 33  | 31  | 28   | 25  | 22   | 18   | 14   |      |     |      |      |      | 534  | 5.3  |              |              |
| HUR-7010            | 10         | 2.2     | 3     | 64       |               |     | 54  | 52  | 48  | 44  | 41   | 36  | 32   | 26   | 20   |      |     |      |      |      | 690  | 6.7  |              |              |
| HUR-7014            | 14         | 3       | 4     | 89       |               |     | 76  | 72  | 67  | 62  | 56   | 49  | 43   | 35   | 28   |      |     |      |      |      | 989  | 8.6  |              |              |
| HUR-7017            | 17         | 3.7     | 5     | 107      |               |     | 90  | 86  | 80  | 74  | 67   | 59  | 51   | 42   | 32   |      |     |      |      |      | 1092 | 10.1 |              |              |
| HUR-7019            | 19         | 4       | 5.5   | 120      |               |     | 102 | 97  | 91  | 89  | 76   | 68  | 58   | 48   | 37   |      |     |      |      |      | 1233 | 12   |              |              |
| HUR-7026            | 26         | 5.5     | 7.5   | 163      |               |     | 136 | 129 | 120 | 111 | 100  | 87  | 75   | 61   | 48   |      |     |      |      |      | 1620 | 15.3 |              |              |
| HUR-7035            | 35         | 7.5     | 10    | 219      |               |     | 183 | 173 | 162 | 149 | 134  | 118 | 111  | 82   | 64   |      |     |      |      |      | 2165 | 19.6 |              |              |
| HUR-7038            | 38         | 7.5     | 10    | 239      |               |     | 201 | 191 | 178 | 165 | 150  | 134 | 114  | 93   | 70   |      |     |      |      |      | 2322 | 21.5 |              |              |
| HUR-90E08           | 8          | 2.2     | 3     | 36       |               |     |     |     | 31  | 29  | 27   | 25  | 23   | 21   | 19   | 17   | 14  | 11   | 8    | 5    | 680  | 6.1  |              |              |
| HUR-90E12           | 12         | 3       | 4     | 54       |               |     |     |     | 46  | 44  | 41   | 39  | 36   | 33   | 30   | 26   | 23  | 18   | 14   | 10   | 950  | 8.4  |              |              |
| HUR-90E16           | 16         | 3.7     | 5     | 73       |               |     |     |     | 62  | 60  | 56   | 53  | 49   | 45   | 41   | 37   | 32  | 27   | 21   | 16   | 1220 | 10.8 |              |              |
| HUR-90E21           | 21         | 4       | 5.5   | 97       |               |     |     |     | 85  | 81  | 76   | 71  | 66   | 59   | 56   | 50   | 44  | 38   | 30   | 23   | 1610 | 14.7 |              |              |
| HUR-90E30           | 30         | 5.5     | 7.5   | 138      |               |     |     |     | 120 | 115 | 108  | 102 | 94   | 85   | 79   | 72   | 63  | 54   | 45   | 35   | 2225 | 20.1 |              |              |
| HUR-9006            | 6          | 1.5     | 2     | 42       |               |     |     |     | 32  | 30  | 28   | 26  | 24   | 22   | 20   | 19   | 16  | 14   | 12   | 10   | 7    | 6    | 540          | 4.8          |
| HUR-9008            | 8          | 2.2     | 3     | 51       |               |     |     |     | 41  | 39  | 37   | 35  | 33   | 31   | 29   | 27   | 24  | 22   | 20   | 17   | 14   | 12   | 676          | 6.3          |
| HUR-9011            | 11         | 3       | 4     | 70       |               |     |     |     | 57  | 54  | 52   | 49  | 47   | 44   | 41   | 38   | 34  | 31   | 28   | 24   | 21   | 18   | 880          | 8.1          |
| HUR-9013            | 13         | 3.7     | 5     | 81       |               |     |     |     | 67  | 64  | 61   | 58  | 55   | 52   | 48   | 45   | 41  | 38   | 34   | 30   | 26   | 22   | 1013         | 9.3          |
| HUR-9015            | 15         | 4       | 5.5   | 97       |               |     |     |     | 79  | 76  | 73   | 69  | 66   | 63   | 58   | 54   | 50  | 46   | 41   | 36   | 32   | 27   | 1149         | 10.5         |
| HUR-9020            | 20         | 5.5     | 7.5   | 125      |               |     |     |     | 102 | 98  | 94   | 89  | 84   | 79   | 74   | 70   | 65  | 60   | 54   | 48   | 43   | 37   | 1543         | 13.5         |
| HUR-9027            | 27         | 7.5     | 10    | 161      |               |     |     |     | 130 | 125 | 120  | 114 | 109  | 102  | 96   | 89   | 81  | 73   | 65   | 57   | 49   | 39   | 2020         | 18.5         |

# ซูเปอร์ เฮอริเคน

## 4" เครื่องสูบน้ำบาดาล สแตนเลส

**SUPER HURRICANE**  
4" SUBMERSIBLE PUMPS

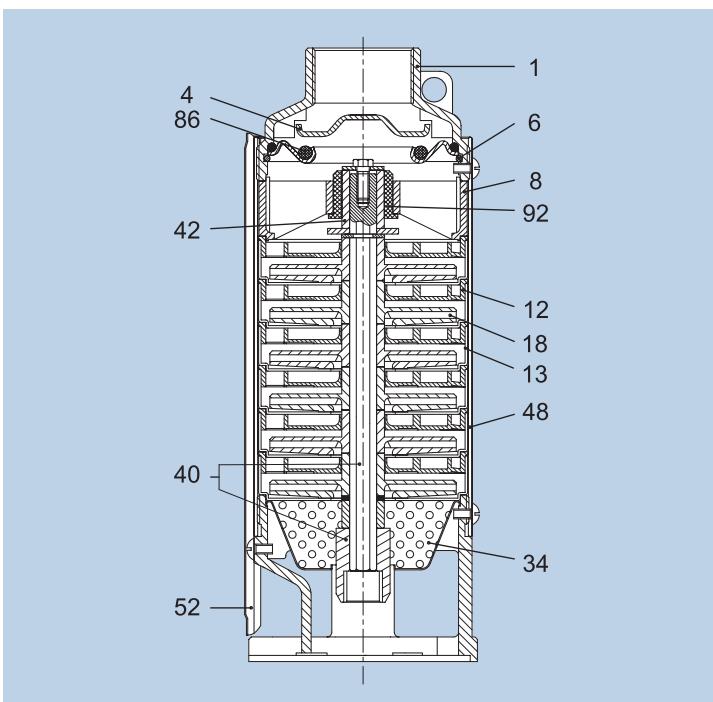
### คุณลักษณะพิเศษ

ใบพัดแบบลอยตัว (Impellers are floating type)

ระบบสลัดทรายได้ดีที่สุด เพิ่มประสิทธิภาพให้ปริมาณน้ำและกำลังส่งสูงมากกว่ารุ่นอื่นๆ เมื่อใช้งาน

### อุปกรณ์ชิ้นส่วนที่ผลิตจากสแตนเลส (STAINLESS STEEL)

- OUTLET DISCHARGE หัวจ่ายเครื่องสูบน้ำ
- CHECK VALVE BUILD - IN เช็ควาล์วในตัว
- PUMP CASING ตัวเสื้อเครื่องสูบน้ำ
- MOTOR BRACKET ฐานเครื่องสูบน้ำ
- CABLE GUARD ฝาครอบสายไฟ
- SHAFT COUPLING ข้อต่อเพลา
- STRAINER แผ่นกรอง
- SHAFT เพลาปั๊ม

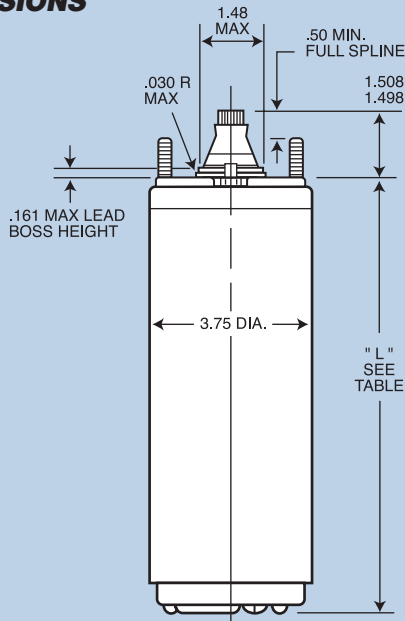


### MATERIALS

| Pos. | Part Name                  | Materials                  |
|------|----------------------------|----------------------------|
| 1    | Discharge Head             | AISI 304 SS                |
| 4    | Check Valve Cone           | AISI 304 SS                |
| 6    | Check Valve retaining Ring | AISI 304 SS                |
| 8    | Bearing Spider             | Glass Filled Polycarbonate |
| 12   | Diffuser                   | Glass Filled Polycarbonate |
| 13   | Bowl                       | AISI 304 SS                |
| 18   | Impeller                   | Noryl                      |
| 34   | Strainer                   | AISI 304 SS                |
| 40   | Pump Shaft / Coupling      | AISI 304 SS                |
| 42   | Shaft Sleeve               | AISI 304 SS or Noryl       |
| 48   | Pump Casing                | AISI 304 SS                |
| 52   | Cable Guard                | AISI 304 SS                |
| 86   | O-Ring                     | NBR                        |
| 92   | Bearing                    | Polyacetal                 |

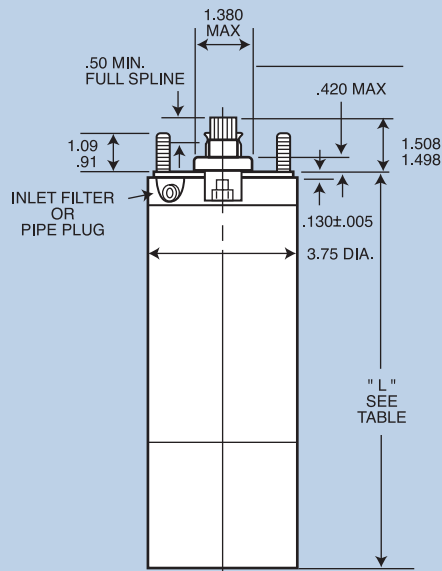
# 4" SUPER STAINLESS SUBMERSIBLE MOTORS

## DIMENSIONS



# 4" HIGH THRUST SUBMERSIBLE MOTORS

## DIMENSIONS



- ① 60 Hz-Nominal 3,450 RPM  
50 Hz-Nominal 2,875 RPM

- ② Removable Type Installed in North American 60 Hz Rated Water Well Motors. Consult Factory For Additional Leads.

Specifications subject to change without notice.  
Contact F.E. if current material types are required for bid specifications.

# SUPER STAINLESS MOTORS

| Component            | Standard Water Well |
|----------------------|---------------------|
| Castings             | 304 SS over Iron    |
| Stator Shell         | 301 SS              |
| Shaft Extension      | 17-4 SS or 303 SS   |
| Fasteners            | 305 SS or 302 SS    |
| Seal Cover           | Acetal              |
| Seal                 | Nitrile Lip         |
| Diaphragm            | Nitrile             |
| Slinger              | Nitrile             |
| Lead Wire (or Cable) | XLPE                |
| Lead Potting         | Epoxy               |
| Lead Jam Nut         | 303 SS              |

# HIGH THRUST MOTORS

| Component            | Standard Water Well      |
|----------------------|--------------------------|
| Top Casting          | 303 SS                   |
| Bottom Castings      | 304 SS over painted iron |
| Stator Shell         | 301 SS                   |
| Stator Ends          | Low-carbon steel         |
| Shaft Extension      | 17-4 SS                  |
| Fasteners            | 300 series SS            |
| Seal Cover           | Acetal                   |
| Seal                 | Nitrile Lip              |
| Diaphragm            | Nitrile                  |
| Diaphragm Cup        | 316 SS                   |
| Diaphragm Spring     | 316 SS                   |
| Diaphragm Cover      | Grey Iron                |
| Slinger              | Nitrile                  |
| Lead Wire (or Cable) | XLPE*                    |
| Lead Potting         | Epoxy                    |
| Lead Screws / Clamp  | 316 SS                   |
| Filter               | Delrin/polyester         |

# SINGLE-PHASE MOTOR SPECIFICATIONS ( 50 HZ), 2875 RPM, 1.0 SERVICE FACTOR

| Motor Model Prefix | Nameplate Rating |       |       |      | Full Load Watts | Line to Line (1) Resistance (Ohms) |           |
|--------------------|------------------|-------|-------|------|-----------------|------------------------------------|-----------|
|                    | KW               | HP    | Volts | Amps |                 | Main                               | Start     |
| 214555             | 0.37             | 1/2   | 220   | 4.2  | 650             | 6.4-7.8                            | 19.4-23.7 |
| 214558             | 0.75             | 1     | 220   | 7.6  | 1200            | 3.2-3.9                            | 14.7-18.0 |
| 224350             | 1.1              | 1 1/2 | 220   | 10   | 1690            | 2.4-2.9                            | 6.4-7.8   |
| 224351             | 1.5              | 2     | 220   | 12.1 | 2160            | 2.0-2.5                            | 8.0-9.7   |
| 224352             | 2.2              | 3     | 220   | 17.8 | 3270            | 1.1-1.4                            | 3.7-4.5   |
| 224353             | 3.7              | 5     | 220   | 26   | 5150            | .79-.97                            | 2.4-2.9   |

# THREE-PHASE MOTOR SPECIFICATIONS (50 HZ), 2875 RPM, 1.0 SERVICE FACTOR

| Motor Model Prefix | Nameplate Rating |       |       |      | Full Load Watts | Line to Line (1) Resistance (Ohms) |
|--------------------|------------------|-------|-------|------|-----------------|------------------------------------|
|                    | KW               | HP    | Volts | Amps |                 |                                    |
| 234551             | 0.37             | 1/2   | 220   | 1.8  | 560             | 18.3-22.4                          |
| 234561             |                  |       | 380   | 1.1  |                 |                                    |
| 234553             | 0.75             | 1     | 220   | 3.5  | 1055            | 8.4-10.3                           |
| 234563             |                  |       | 380   | 2.1  |                 |                                    |
| 234554             | 1.1              | 1 1/2 | 220   | 5.2  | 1465            | 4.3-5.2                            |
| 234524             |                  |       | 380   | 3.0  |                 |                                    |
| 234355             | 1.5              | 2     | 220   | 6.9  | 1970            | 3.0-3.7                            |
| 234325             |                  |       | 380   | 4.0  |                 |                                    |
| 234356             | 2.2              | 3     | 220   | 10.4 | 2930            | 2.1-2.7                            |
| 234326             |                  |       | 380   | 6.0  |                 |                                    |
| 234494             | 3                | 4     | 220   | 12.6 | 3940            | 1.5-1.8                            |
| 234395             |                  |       | 380   | 7.3  |                 |                                    |
| 234357             | 3.7              | 5     | 220   | 15.5 | 4860            | 1.1-1.4                            |
| 234327             |                  |       | 380   | 9.0  |                 |                                    |
| 234396             | 4.0              | 5 1/2 | 220   | 18   | 5275            | 1.0-1.3                            |
| 234397             |                  |       | 380   | 10.1 |                 |                                    |
| 234358             | 5.5              | 7 1/2 | 220   | 22.8 | 7175            | .75-.92                            |
| 234328             |                  |       | 380   | 13.0 |                 |                                    |
| 234595             | 7.5              | 10    | 380   | 18.7 | 9580            | 1.7-2.1                            |

Performance is typical, not guaranteed, at specified voltages.  
Performance of 1984 and older models, not listed is similar, but not identical.



Franklin Electric, U.S.A.

